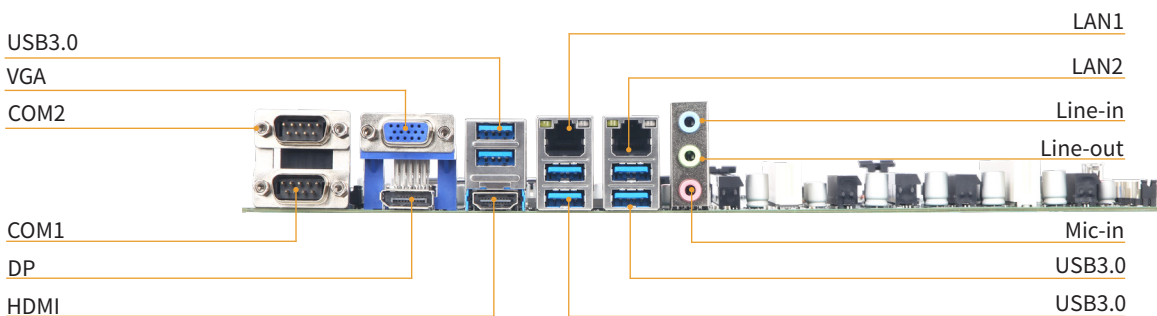
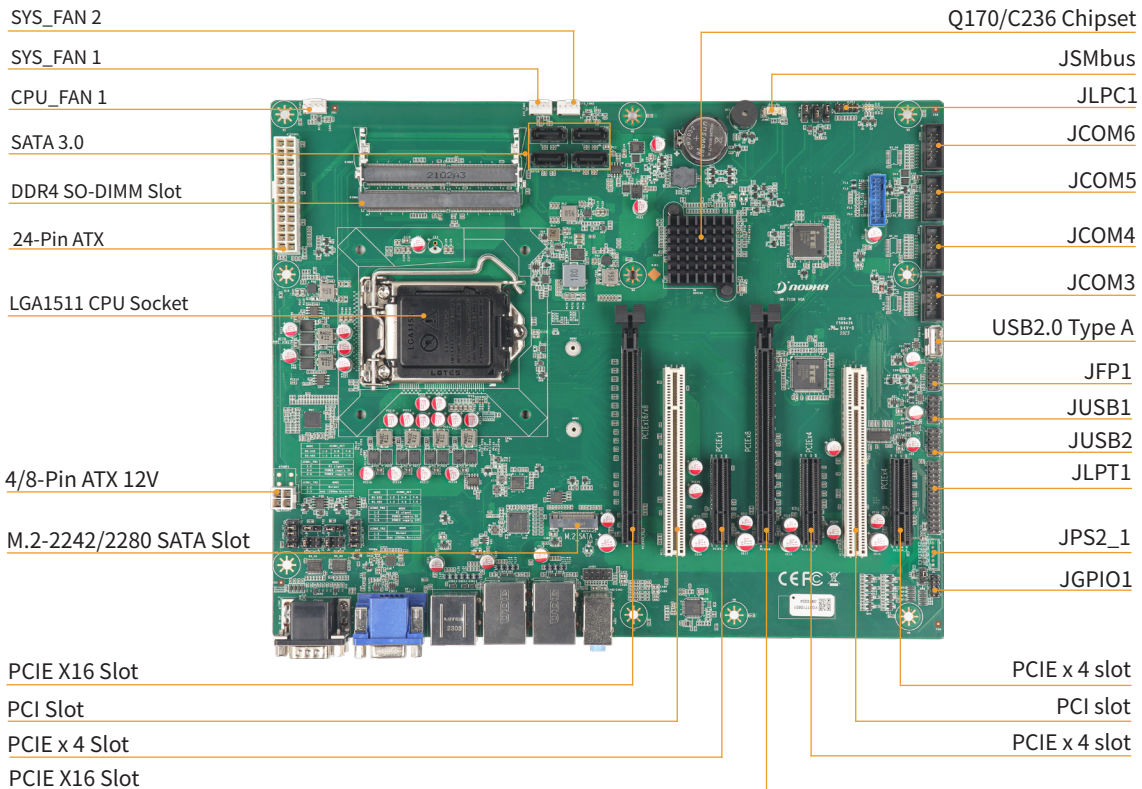


NK-7106

6/7/8/9 th processor Q170/C236 Chipset ATX Motherboard

特点 Feature

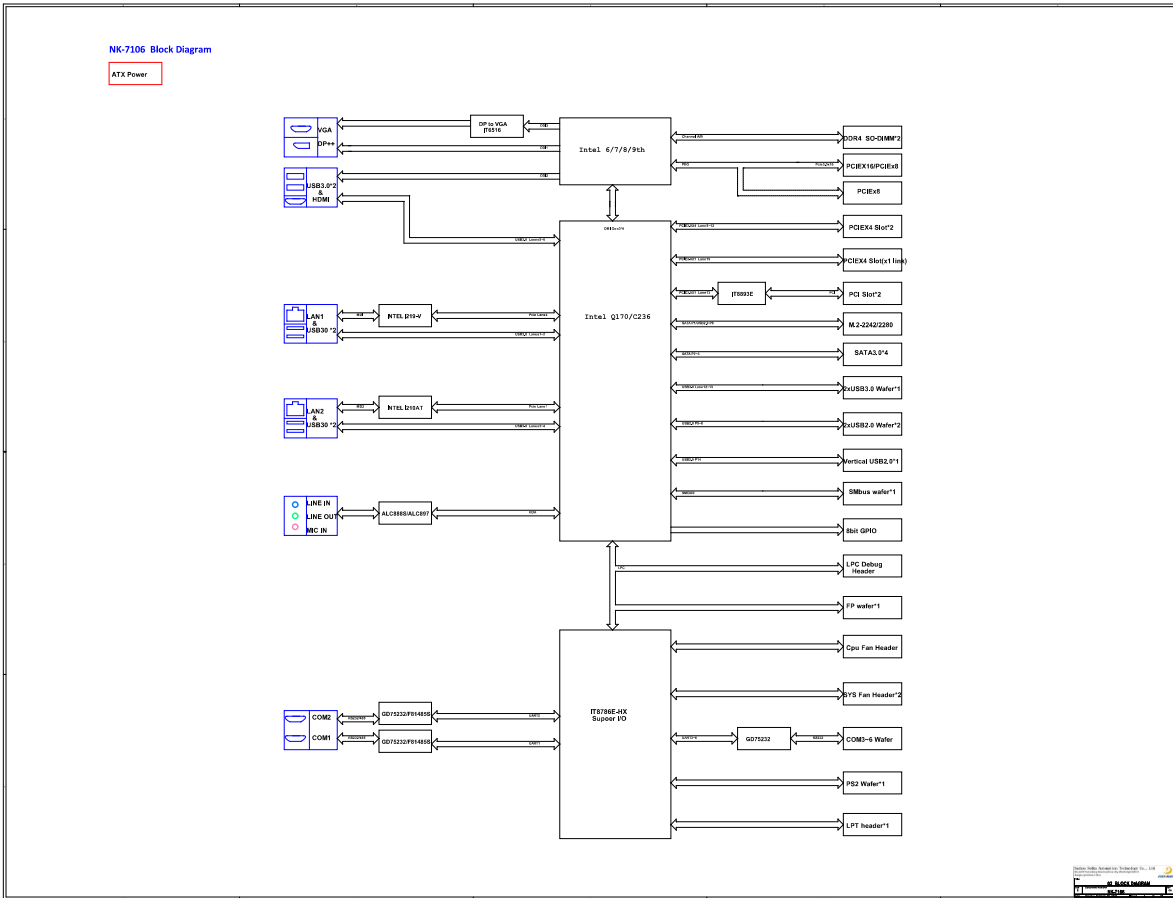
- Intel® 6/7/8/9th Generation Celeron/Pentium/Core-I series LGA 1151 processor,TDP up to 95W
- Support dual channel(Non-ECC) DDR4-1866/2133/2400/2666MHz SO-DIMM slot , up to 64GB
- Support VGA,HDMI,DP Tri-display
- 2 x Giga-bit Ethernet
- 8 x USB3.0 ports,5 x USB2.0 ports
- 2 x RS232/485, 4 x RS232
- 4 x SATA3.0 support software RAID 0,1,5,10, 1x SATA M.2-2242/2280 Slot
- 2 x PCIEX16(1x 16 or 2x 8 link), 2x PCIEX4, 1x PCIEX4(x1link), 2x PCI slots



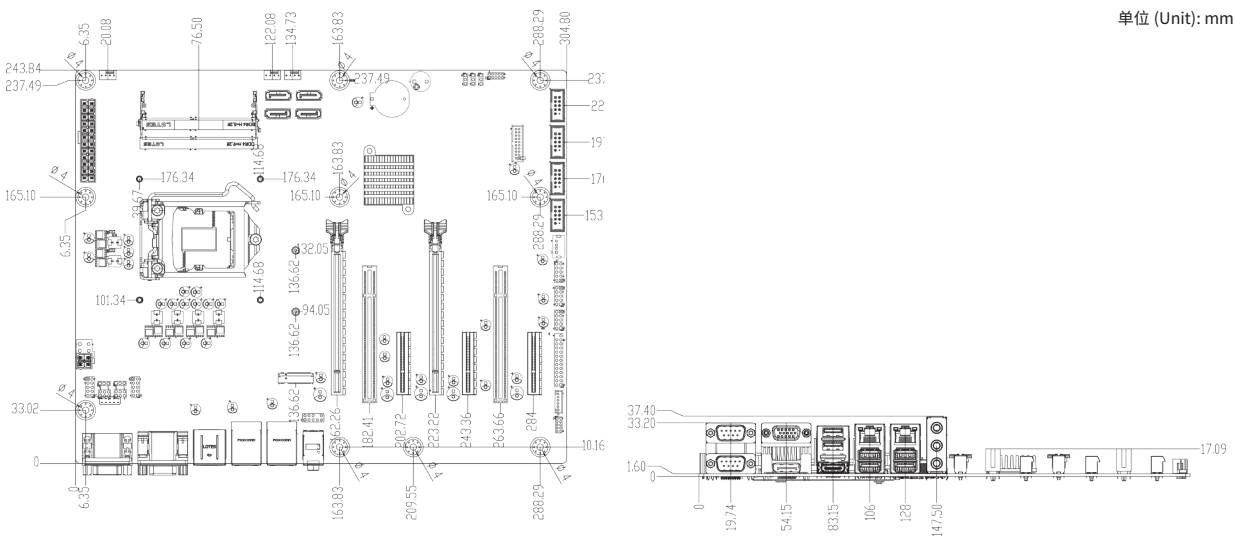
规格 Specification

处理器 Processor System	CPU	Intel® 6/7/8/9th generation Celeron/Pentium/Core-I series processor, TDP up to 95W
	插槽 Socket	LGA1151
	芯片组 Chipset	Intel Q170/C236
	BIOS	AMI 128Mb UEFI BIOS
内存 Memory	技术 Technology	Dual Channel(Non-ECC) DDR4 1866/2133/2400/2666MHz, up to 64GB
	插槽 Slots	2 x DDR4 260-pin SO-DIMM slots
存储 Storage	M.2	1 x M.2-2242/2280 Key M slot (SATA3.0 Signal)
	SATA	4 x SATA3.0 (up to 6Gb/s), support raid 0/1/5/10
图形 Graphics	控制器 Controller	Intel HD graphics integrated
音频 Audio	编解码器 Codec	Realtek ALC 897 codec
外部接口 Rear I/O	显示 Display	1 x VGA, resolution up to 1920x1200@60Hz
		1 x DP, resolution up to 4096x2160@60Hz
		1 x HDMI, resolution up to 4096 x 2160@30Hz
	网络 Ethernet	2 x GbE(RJ45), LAN1: Intel i219-V, LAN2: Intel I210AT
	USB	6 x USB3.0(5Gpbs)
	串口 Serial	2 x RS232/485
	音频 Audio	1 x Line-out, 1 x Mic-in, 1 x Line-in
内部接口 Internal I/O	USB	2xUSB3.0 Pin header(1x2*5pin),4xUSB2.0 Pin header,(2x2*5pin),1 x vertical USB2.0 type-A connector
	串口 Serial	4 x RS232 wafer(2*5pin)
	PS/2	1 x PS/2 wafer(1*6pin)
	LPT	1 x LPT header(2*13pin)
	LPC	1 x LPC header(2*5pin)
	SMbus	1 x SMbus wafer(2*5pin)
	GPIO	1 x 8bit GPIO(2*5pin)
	FP	1 x FP(Power LED, HDD LED, Power button, Reset button)(2*5pin)
	FAN	2 x System FAN (1*4pin),1 x CPU FAN (1*4pin)
扩展槽 Expansion Slots	PCIe X 16	2 x PCIeX16(Gen3) slots (1 x 16 or 2 x 8 link (default))
	PCIe X 4	2 x PCIeX4(Gen3) slots, 1 x PCIeX4(Gen3, x 1 link) slot
	PCI	2 x PCI slots
看门狗定时器 Watchdog Timer	输出 & 间隔 Output & Interval	System reset, programmable from 1~255 sec
安全 Security	TPM	fTPM2.0
电源 Power	类型 Type	ATX Power Input: 24-Pin ATX + 4/8-Pin ATX 12V
操作系统 OS Support	Microsoft Windows	Windows 7/8.1(Only support with Intel 6th Gen. CPU), Windows 10
	Linux	Linux
机械参数 Mechanism	尺寸 Dimensions	(L)305mm x (W)244mm
	净重 Gross Weight	0.8kg
环境 Environment	工作温度 Operating	0°C ~ 60°C
	工作温度 Operating	-40°C ~ 85°C
	存储温度 Storage	5~95% (Non-condensing)

框架图 Block Diagram



机构图 Mechanical Drawing



订购信息 Order Information

料号 Part No.	型号 Model	描述 Description
F31.710604.10.NEK	NK-7106-C236	ATX, C236, 6/7/8/9th, 2*DDR4 SO-DIMM, M.2-2242/2280(SATA), ATX power Input
F31.710603.10.NEK	NK-7106-Q170	ATX, Q170, 6/7/8/9th, 2*DDR4 SO-DIMM, M.2-2242/2280(SATA), ATX power Input

包装清单 Packing List

料号 Part No.	数量 Qty	描述 Description
KF0.001015.00.L54	2	Single COM port Cable(Length=500mm)
KF0.001025.00.L54	1	Single SATA Date Cable(Length=600mm)
L91.000076.00.G35	1	Single I/O Port Bracket

Note: Driver CD is not provided. Please visit Nodka support website for driver download.

可选配件 Optional Accessories

料号 Part No.	描述 Description
L45.000013.00.B14	LGA1151 2U CPU Cooler,TDP up to 125W
L45.000018.00.B14	LGA1151 4U CPU Cooler,TDP up to 125W
KF0.001015.00.L54	Single COM port Cable(Length=500mm)
KF0.001092.00.L54	Dual COM Cable with Bracket(Length=300mm)
KF0.001025.00.L54	Single SATA Date Cable(Length=600mm)
KF0.001091.00.L54	1 in 2*USB3.0 Type-A Y Cable with Bracket(Length=300mm)
KF0.001090.00.L54	1 in 2*USB2.0 Type-A Y Cable with Bracket(Length=300mm)
KF0.001052.00.L54	LPT Cable with Bracket(Length=300mm)
KF0.001093.00.Y09	PS2 Cable with Bracket(Length=300mm)
L91.000076.00.G35	Single I/O Port Bracket